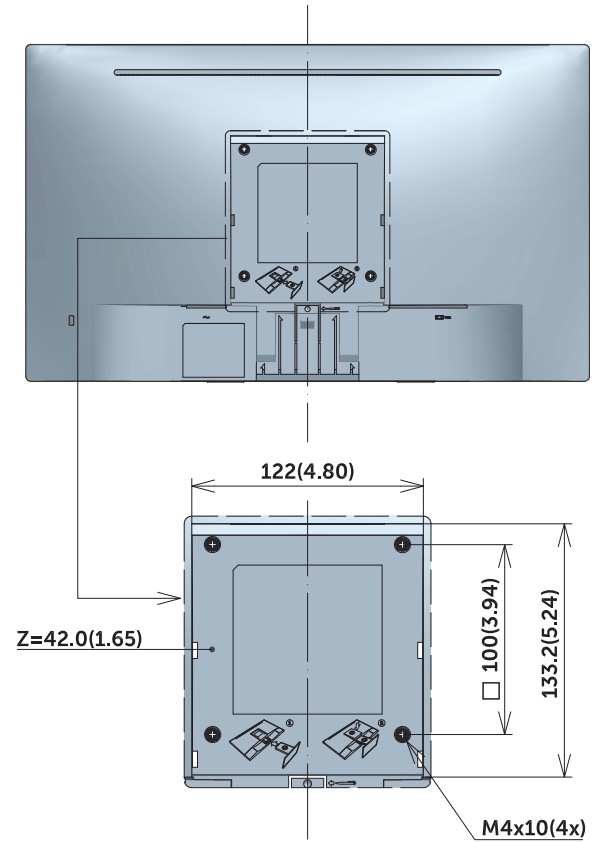
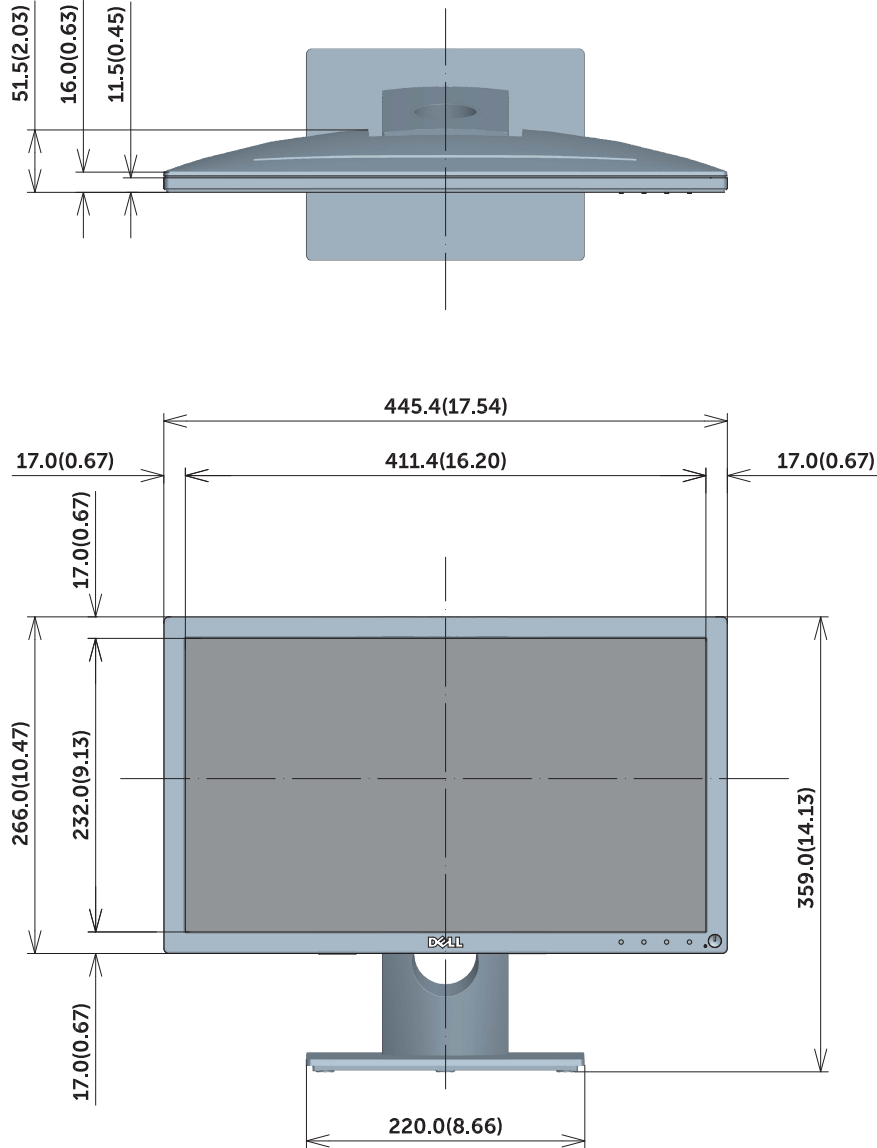


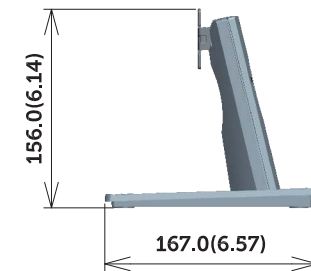
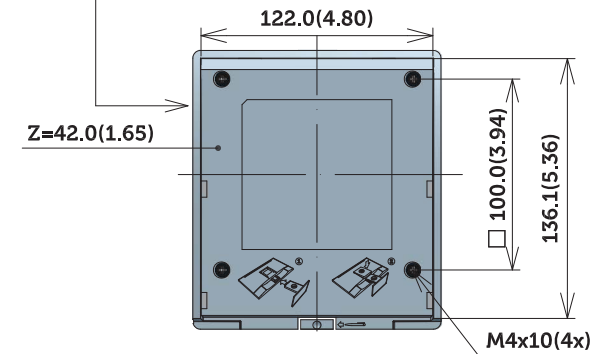
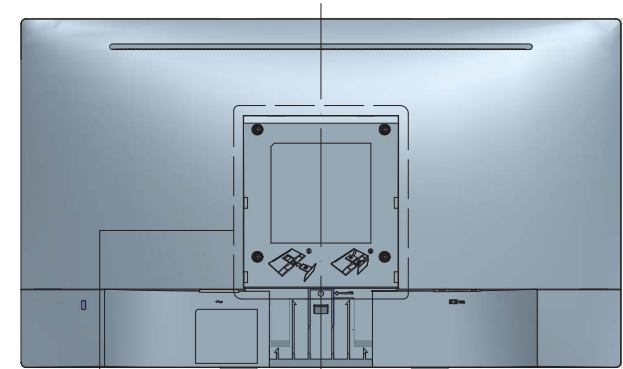
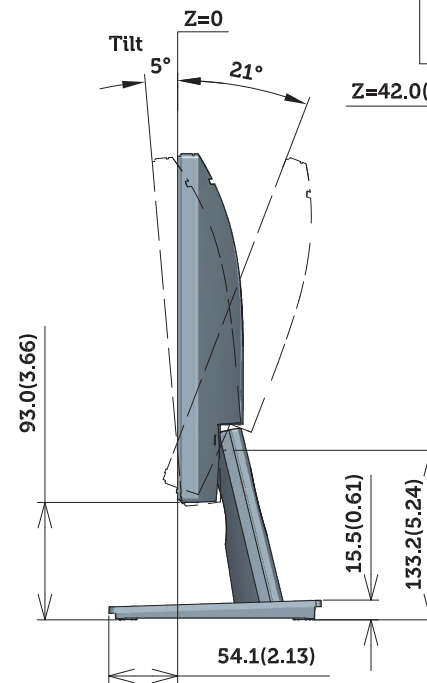
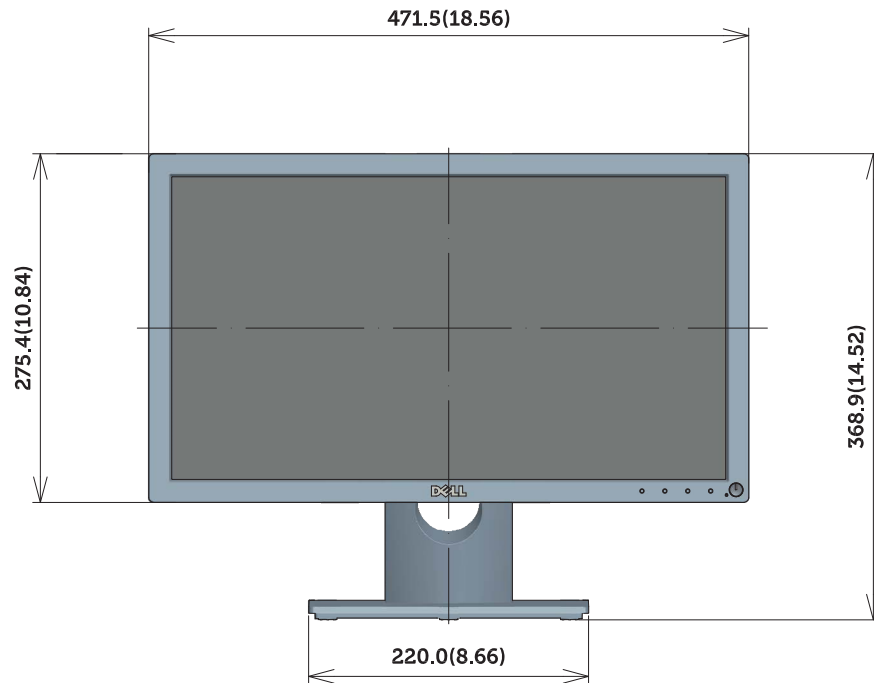
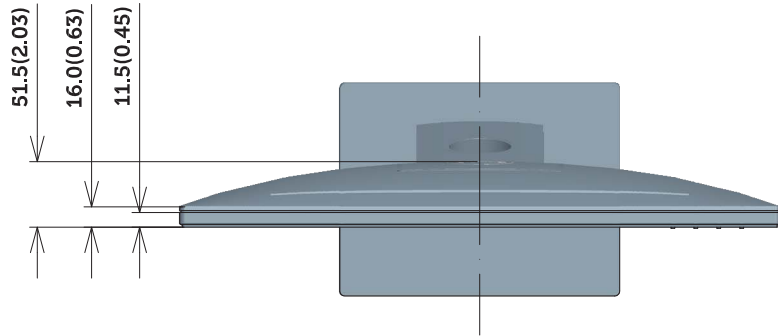
SE1918HV Outline Dimension

Unit : mm(inch)
 Dimension : Nominal
 Drawing : Not to scale



SE2018HV/SE2018HR Outline Dimension

Unit : mm(inch)
Dimension : Nominal
Drawing : Not to scale



SE2218HV Outline Dimension

Unit : mm(inch)
 Dimension : Nominal
 Drawing : Not to scale

